

**RR DONNER S-20 RAVEN
SLIDING SEAT ASSEMBLY**

MDS5589
REV. A

RANS S-20 RAVEN - SLIDING SEAT ASSEMBLY

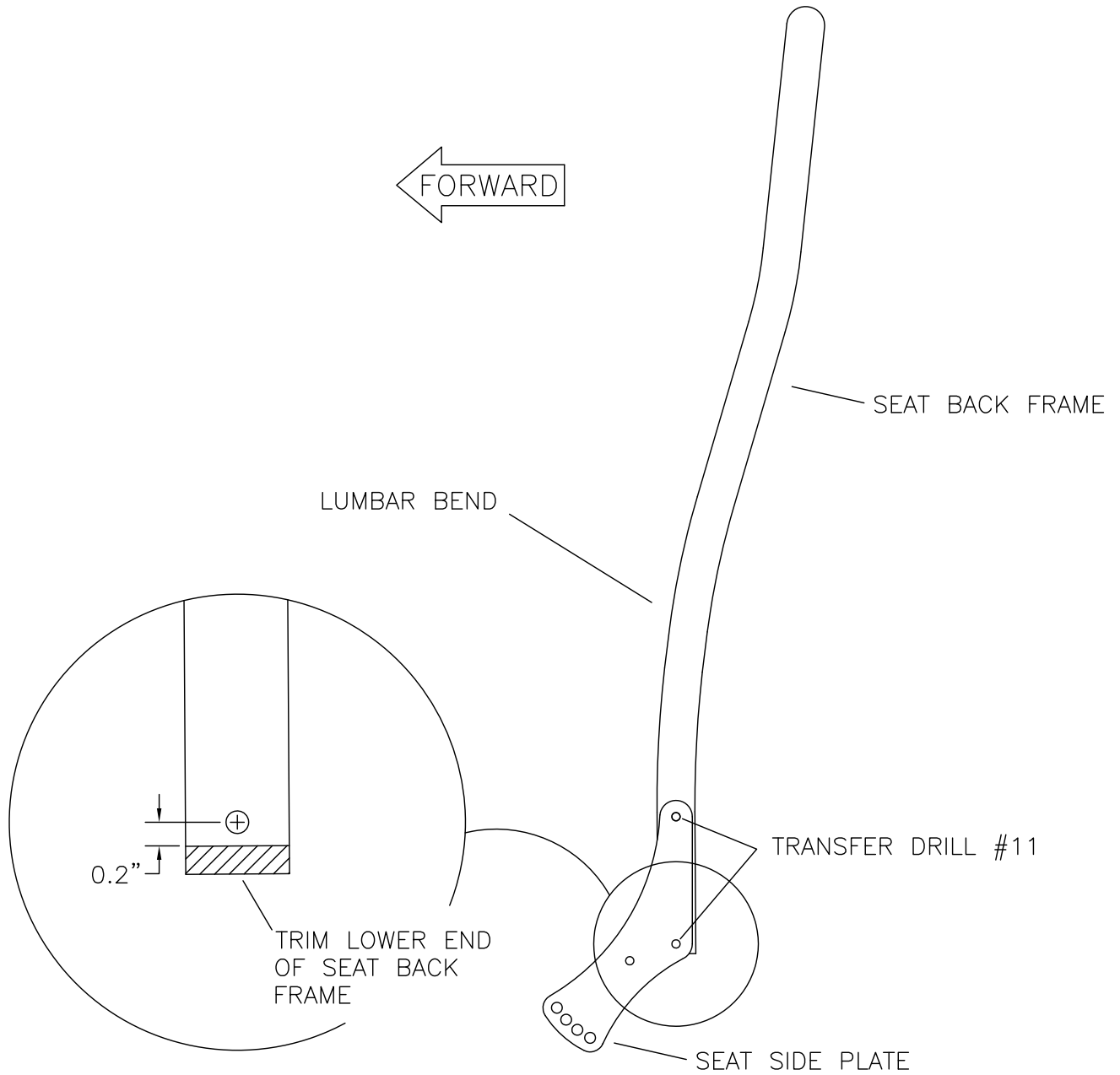
#	DESCRIPTION	PART NUMBER	QUANTITY
1.	Seat Back Cushion	ST-SBC-A	2
2.	Seat Back Frame	ST-SBF	2
3.	3/16" Bolt	AN3-14A	8
4.	3/16" Thin Washer	AN960-10L	20
5.	1/4" Quick Pin	PIN 1/4X1.2	4
6.	Sliding Seat Side Plate	KPST0123	8
7.	1/4" Plastic Washer	PW-4	16
8.	3/16" Thick Washer	AN960-10	84
9.	3/16" Shear Nut	AN364-1032A	12
10.	Seat Internal Tube, 1/2" x .035" x 13.75" * **	KAAC0046-4	0
11.	3/16" Stainless Steel Rivet - Cherry Q	CCPQ-62	16
12.	2 Way Tape	2W-TAPE	1
13.	Sliding Seat Bottom Frame	KPST0127	2
14.	Seat Bottom Cushion	ST-SBTC-A	2
15.	Lacing Wires (stick), 36" x 1/16"	TG-LW-1/16	5
16.	Heavy-Duty Plastic Tie - Long	BSBK0001	40
17.	Slider Block	KPST0124	4
18.	Sliding Seat Bracket	KPST0125	2
19.	3/16" Rivet Nut	MS27130-A25K	2
20.	Seat Stop Tube, 3/8" x .095" x .75" *	KAAC0046-9	0
21.	Sliding Seat Protection Cover	KPST0126	4
22.	3/16" Bolt	AN3-13A	6
23.	3/16" Stainless Steel Rivet - Cherry Q	CCPQ-64	22
24.	Seat Back Plate - Upper	KPST0073-1	2
25.	Seat Back Plate - Middle	KPST0073-2	2
26.	Seat Back Plate - Lower	KPST0073-3	2
27.	Multi-Hole Tang	ST-16-FLAT	8
28.	Bearing	SR4APP	8
29.	1/4" Bolt	AN4-14A	4
30.	1/4" Thin Washer	AN960-416L	20
31.	1/4" Shear Nut	AN364-428A	4
32.	1/8" Aluminum Rivet - Avex	1691-0410	34

* Fabricate from Raw Stock

** Builder determines length

9/1/2013

REV. A



RANS S-20 RAVEN
SEAT BACK ORIENTATION
FIGURE 01J-04

MD5534

09/01/2013

RANS S-20 RAVEN - HYDRAULIC BRAKE INSTALLATION

#	DESCRIPTION	PART NUMBER	QUANTITY
1.	Hydraulic Brake Reservoir	KSBS0034	1
2.	Vented 1/8" Cap Plug *	----	0
3.	90-degree Elbow - Flare 1/4" Tube to 1/8" NPT	AN822-4D	12
4.	45-degree Elbow - Flare 1/4" Tube to 1/8" NPT	AN823-4D	1
5.	3/16" Bolt	AN3-3A	2
6.	3/16" Thin Washer	AN960-10L	12
7.	Thread Sealant **	----	0
8.	3/16" Shear Nut	AN364-1032A	4
9.	3/16" Bolt	AN3-12A	2
10.	3/16" Aluminum Rivet - Cherry Q	AAPQ-62	2
11.	Rubber Washer ***	----	0
12.	1/4" Thick Washer	AN960-416	18
13.	Cable Housing Swivel Stop	KPBS0009	1
14.	Cable Housing Swivel Stop Bracket	KPBS0010	1
15.	Small Cotter Pin	MS24665-134	13
16.	Safety Wire **	----	0
17.	Cable Swivel Stop & Screw	2361	1
18.	Parking Brake	KSBS0007	1
19.	Bulkhead Tee - Flare 1/4" Tube	AN834-4D	1
20.	7/16" Thick Washer	AN960-716	6
21.	Blue Fuel Line - 1/4"	FS-FL	2 in
22.	Control Cable	4-336	1
23.	Cable Friction Block	T-STOP	1
24.	Socket Head Cap Screw	T-SC	1
25.	Master Cylinder - Brake	KSBS0031	4
26.	5/16" Plain Nut ****	----	0
27.	3/16" Bolt - drilled shank	AN3-10	4
28.	1" Stainless Steel U-Bracket	SU-118	4
29.	3/16" Castle Nut	AN310-3	4
30.	1/4" Castle Nut	AN310-4	8
31.	5/16" Shear Nut	AN364-524A	4
32.	5/16" Thin Washer	AN960-516L	4
33.	1/4" Thin Washer	AN960-416L	16
34.	1/4" Bolt - drilled shank	AN4-5	8
35.	Park Brake Backing Plate	KPBS0008	1
36.	1/8" Aluminum Rivet - Cherry Q	AAPQ-41	4
37.	Bulkhead 90-degree Elbow - Flare 1/4" Tube	AN833-4D	2
38.	Loctite Blue **	----	0
39.	Nut - Flared Tube Bulkhead	AN924-4D	3
40.	Braided Brake Line Kit - S-20	KSBS0038	1
41.	Braided Line - 22" - Reservoir to Bulkhead Tee *****	KSBS0038-1	0
42.	Braided Line - 9" - Bulkhead Tee to Cylinders *****	KSBS0038-2	0
43.	Braided Line - 18.75" - RH to LH Cylinders *****	KSBS0038-3	0
44.	Braided Line - 15" - LH Cylinders to Park Valve *****	KSBS0038-4	0
45.	Braided Line - 87" - Park Valve to RH Bulkhead *****	KSBS0038-5	0
46.	Braided Line - 69" - Park Valve to LH Bulkhead *****	KSBS0038-6	0
47.	Braided Line - 30" - Bulkhead to Wheel Brakes *****	KSBS0038-7	0

* Supplied with Brake Reservoir. ** Builder supplied

*** Supplied with Parking Brake

**** Supplied with Brake Cylinder

***** Supplied with KSBS0038

9/1/2013