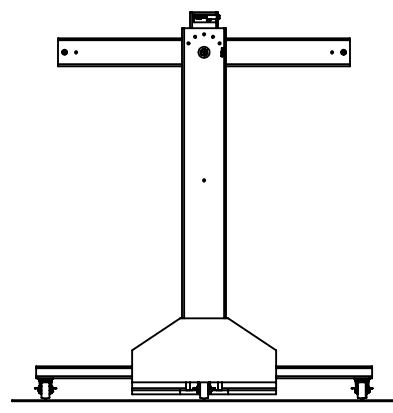
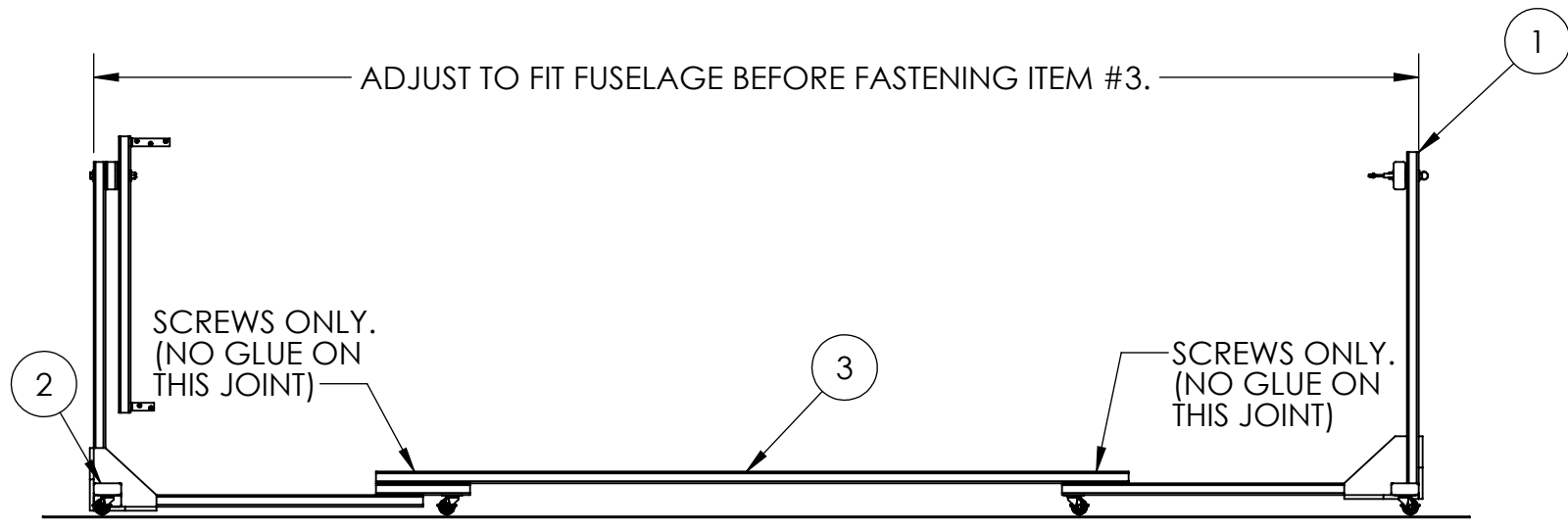
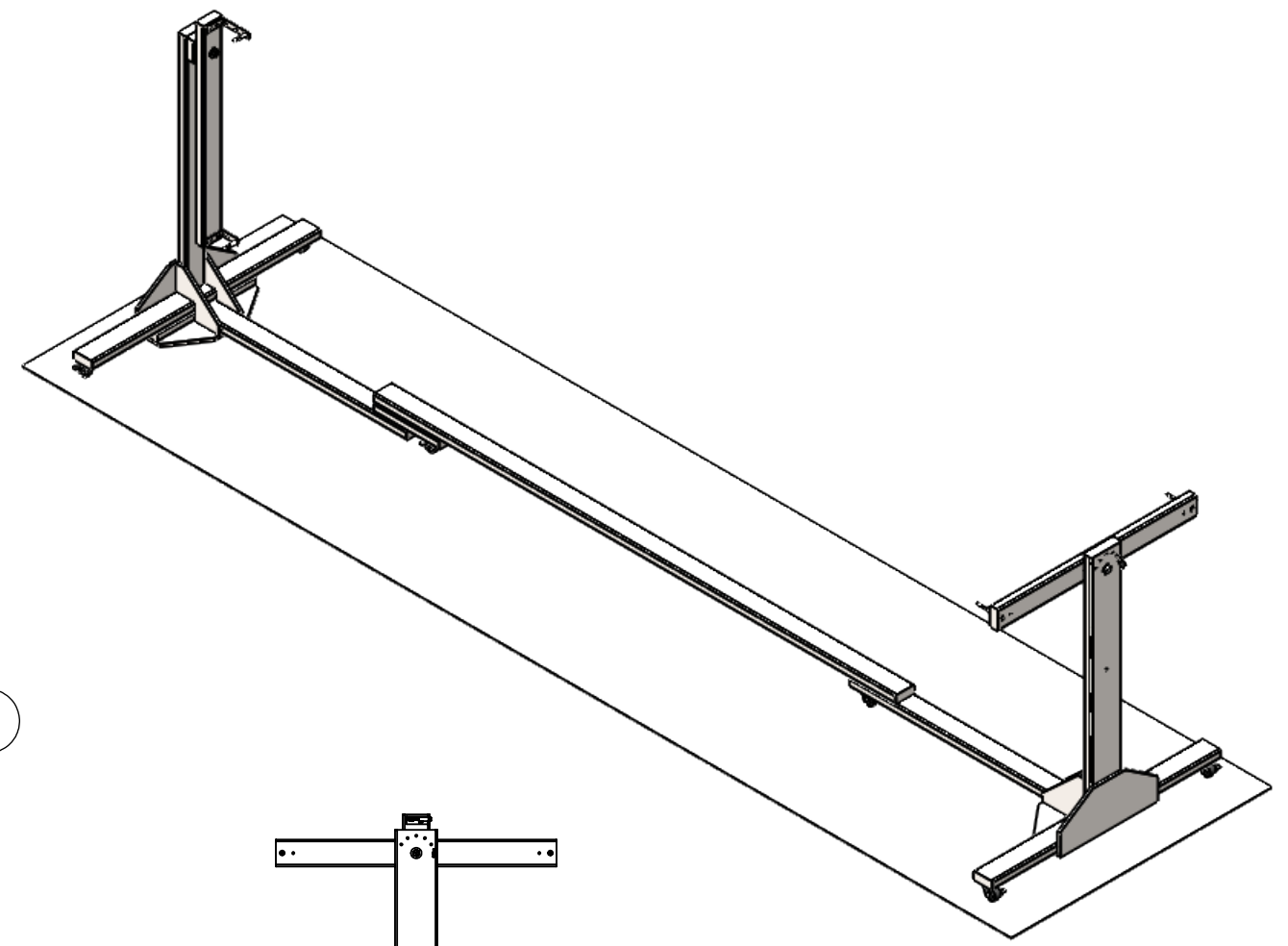
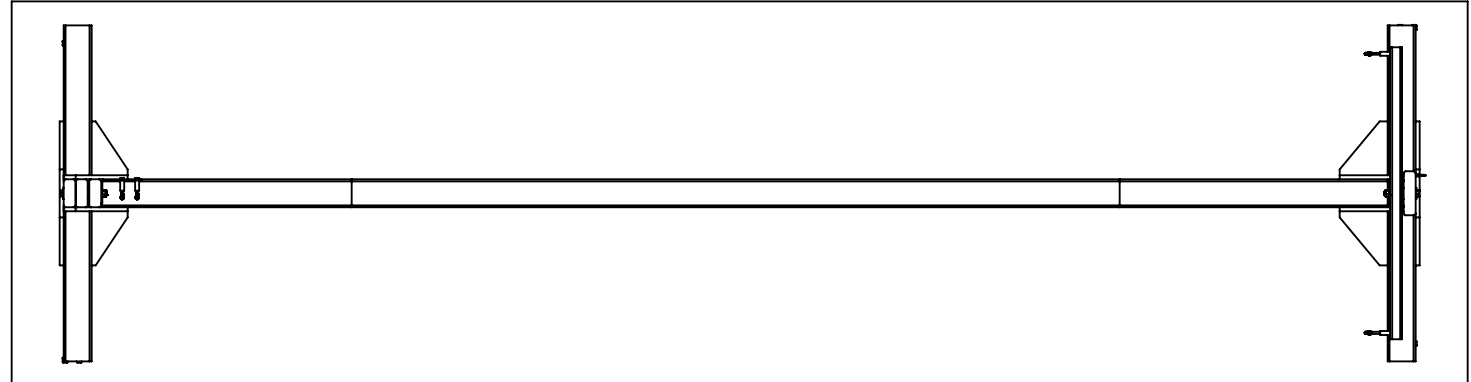


8 7 6 5 4 3 2 1

D  
C  
B  
A

D  
C  
B  
A



ITEM NO.	PART NUMBER	DESCRIPTION	QTY.
1	FS-102A	ASSY, FIREWALL STAND	1
2	FS-101A	ASSY, TAIL STAND	1
3	2X4 - 12 FT	2.00 X 4.00 X 144.00	1

UNLESS OTHERWISE SPECIFIED:  
 DIMENSIONS ARE IN INCHES  
 TOLERANCES:  
 FRACTIONAL ± 0.125  
 ANGULAR: ± 1 DEG  
 TWO PLACE DECIMAL ± 0.030  
 THREE PLACE DECIMAL ± 0.010  
 DO NOT SCALE DRAWING

**INNOVATION BY DESIGN**

TITLE:  
**ASSY, FUSELAGE STANDS**

	NAME	DATE
DRAWN	SDS	11/13/08
CHECKED		
ENG APPR.		
MFG APPR.		

SIZE	DWG. NO.	REV
<b>B</b>	<b>FS-100TL</b>	<b>A</b>
SCALE: 1:24	WEIGHT:	SHEET 1 OF 1

NOTES:  
 1. PLEASE EMAIL ANY NOTES OF ERRORS OR SUGGESTIONS TO STEVE AT INFO@IBDENG.COM.

**PROPRIETARY AND CONFIDENTIAL**  
 THE INFORMATION CONTAINED IN THIS DRAWING IS THE SOLE PROPERTY OF INNOVATION BY DESIGN AND/OR ITS DESIGNATED CLIENTS. ANY REPRODUCTION IN PART OR AS A WHOLE WITHOUT THE WRITTEN PERMISSION IS PROHIBITED.

8 7 6 5 4 3 2 1

8 7 6 5 4 3 2 1

D

C

B

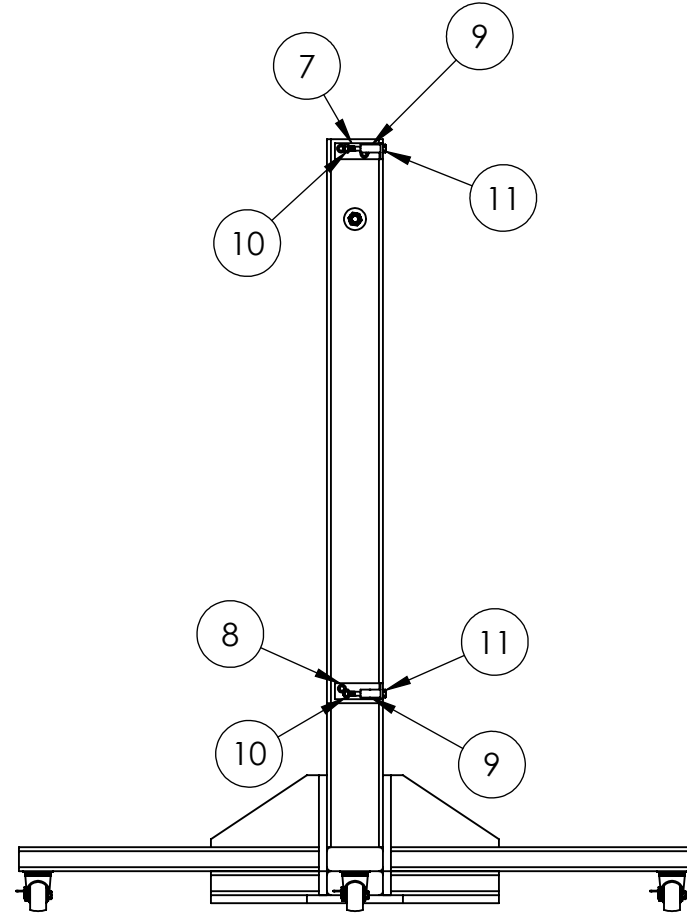
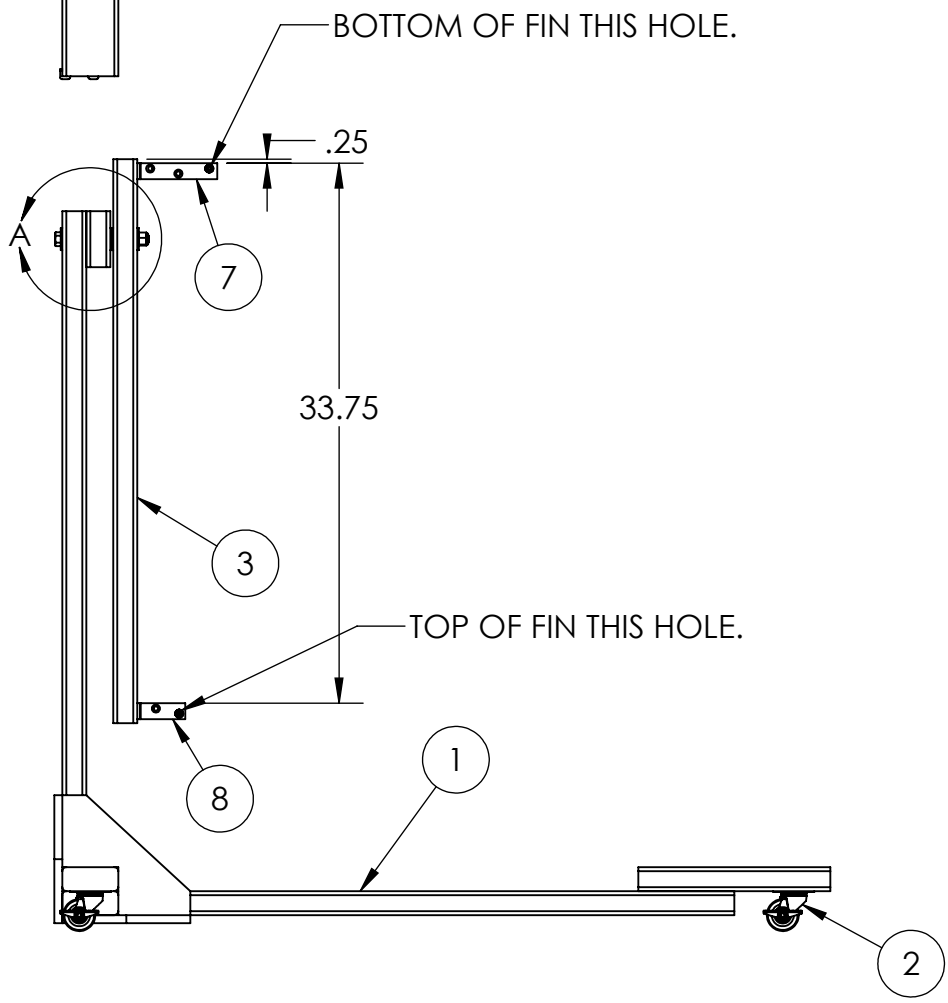
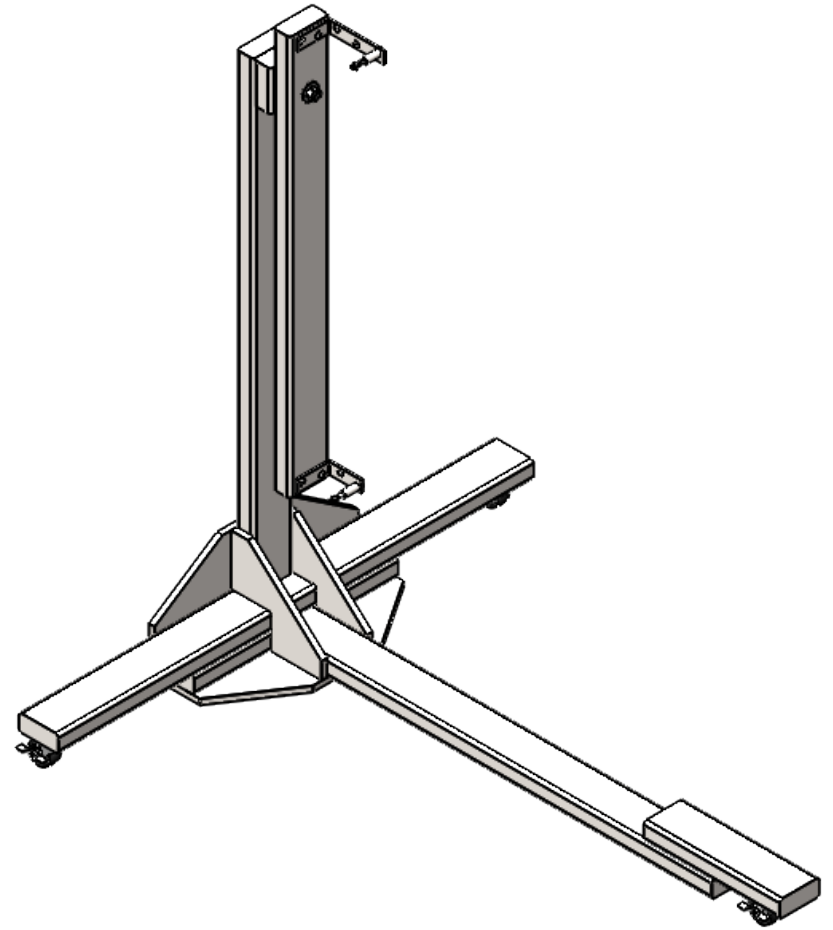
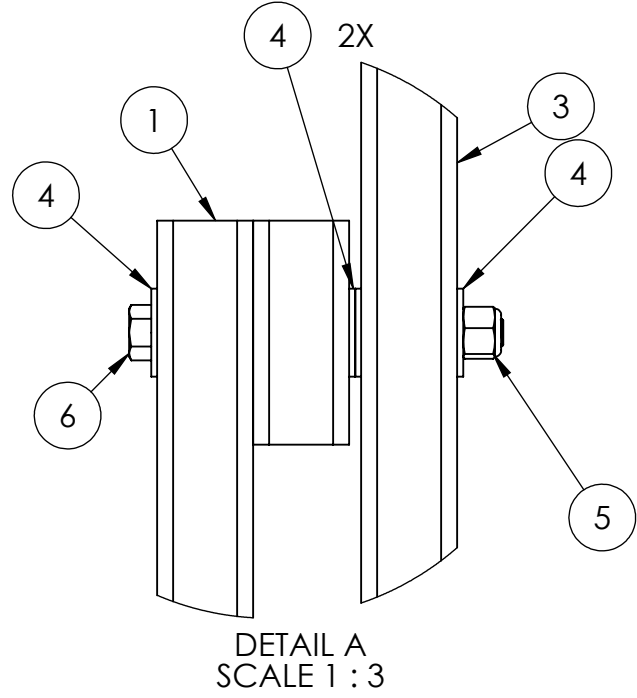
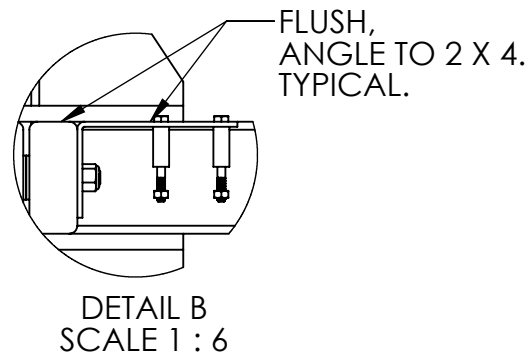
A

D

C

B

A



ITEM NO.	PART NUMBER	DESCRIPTION	QTY.
1	FS-103A	STAND, TAIL	1
2	CASTER 2 IN	2" CASTER WHEEL ASSEMBLY	3
3	2X4 - 35.25	2.00 X 4.00 X 35.25	1
4	WASHER .50 IN	WASHER, 1/2"	4
5	NUT .50-13	NYLOCK NUT, 1/2-13	1
6	BOLT .50 X 5.50	BOLT, 1/2-13 X 5.50"	1
7	ANGLE - 5X3	ANGLE, 5.00 X 3.00 (MODIFIED)	1
8	ANGLE - 3X3	ANGLE, 3X3 (MODIFIED)	1
9	TUBE, .50X1.25	TUBE, .50 X .25 X 1.25	2
10	NUT .25-20	NUT, 1/4-20	2
11	BOLT .25 X 2.50	BOLT, 1/4-20 X 2.50"	2

UNLESS OTHERWISE SPECIFIED:  
DIMENSIONS ARE IN INCHES  
TOLERANCES:  
FRACTIONAL ± 0.125  
ANGULAR: ± 1 DEG  
TWO PLACE DECIMAL ± 0.030  
THREE PLACE DECIMAL ± 0.010  
DO NOT SCALE DRAWING

**INNOVATION BY DESIGN**

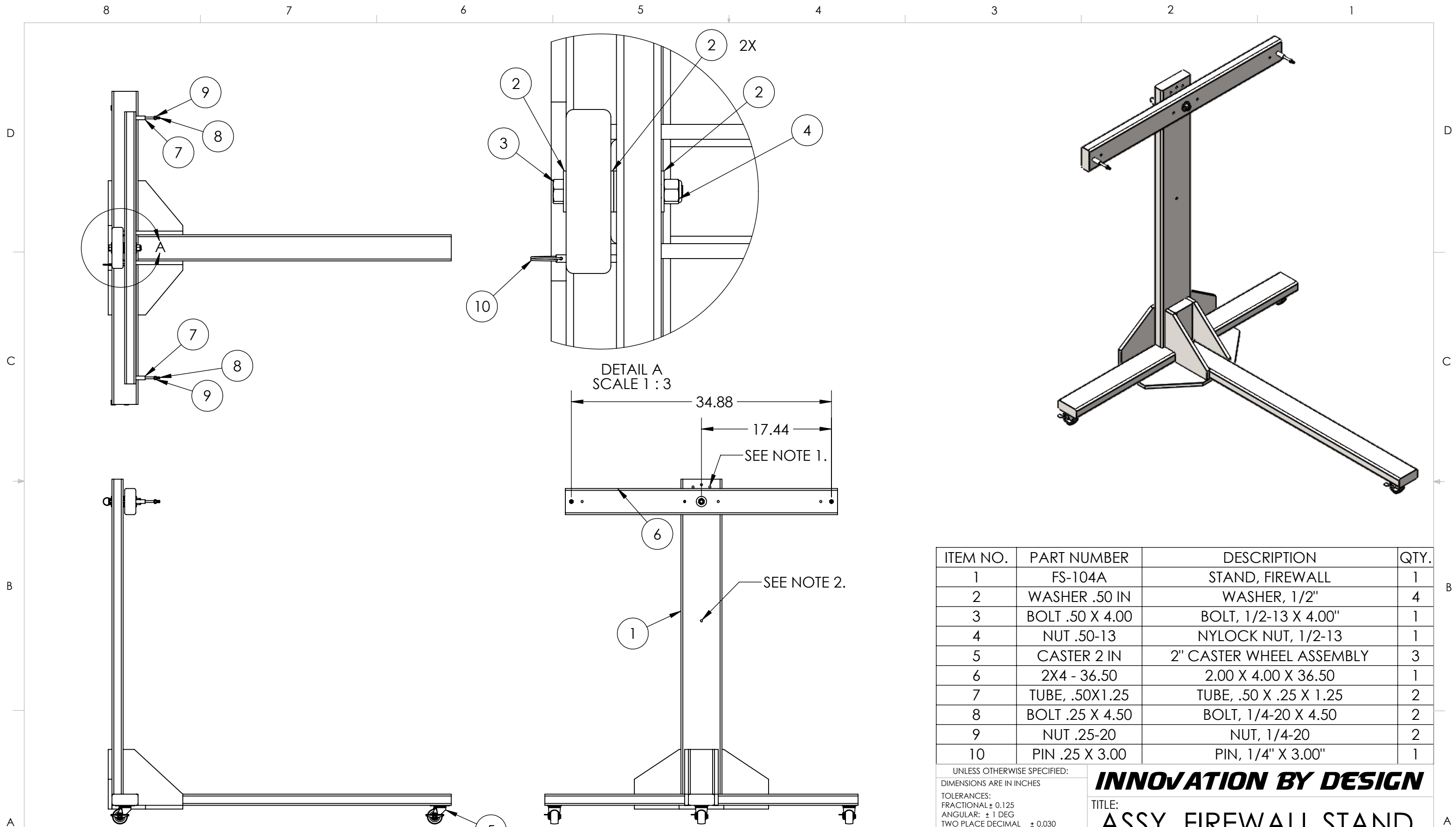
TITLE:  
**ASSY, TAIL STAND**

**PROPRIETARY AND CONFIDENTIAL**  
THE INFORMATION CONTAINED IN THIS DRAWING IS THE SOLE PROPERTY OF INNOVATION BY DESIGN AND/OR ITS DESIGNATED CLIENTS. ANY REPRODUCTION IN PART OR AS A WHOLE WITHOUT THE WRITTEN PERMISSION IS PROHIBITED.

	NAME	DATE
DRAWN	SDS	11/13/08
CHECKED		
ENG APPR.		
MFG APPR.		

SIZE	DWG. NO.	REV
<b>B</b>	<b>FS-101A</b>	<b>A</b>
SCALE: 1:12	WEIGHT:	SHEET 1 OF 1

8 7 6 5 4 3 2 1



NOTES:

1. REFER TO NOTE 1. ON DRAWING #FS-105DL FOR HOLE DRILLING PROCEDURE.
2. OPTIONAL - USE THIS HOLE WHEN FUSELAGE IS TIPPED ON ITS SIDE. THE WEIGHT IMBALANCE IN THIS POSITION WILL TEND TO ELONGATE THE HOLES AROUND THE CENTRAL PIVOT.

**PROPRIETARY AND CONFIDENTIAL**  
 THE INFORMATION CONTAINED IN THIS DRAWING IS THE SOLE PROPERTY OF INNOVATION BY DESIGN AND/OR ITS DESIGNATED CLIENTS. ANY REPRODUCTION IN PART OR AS A WHOLE WITHOUT THE WRITTEN PERMISSION IS PROHIBITED.

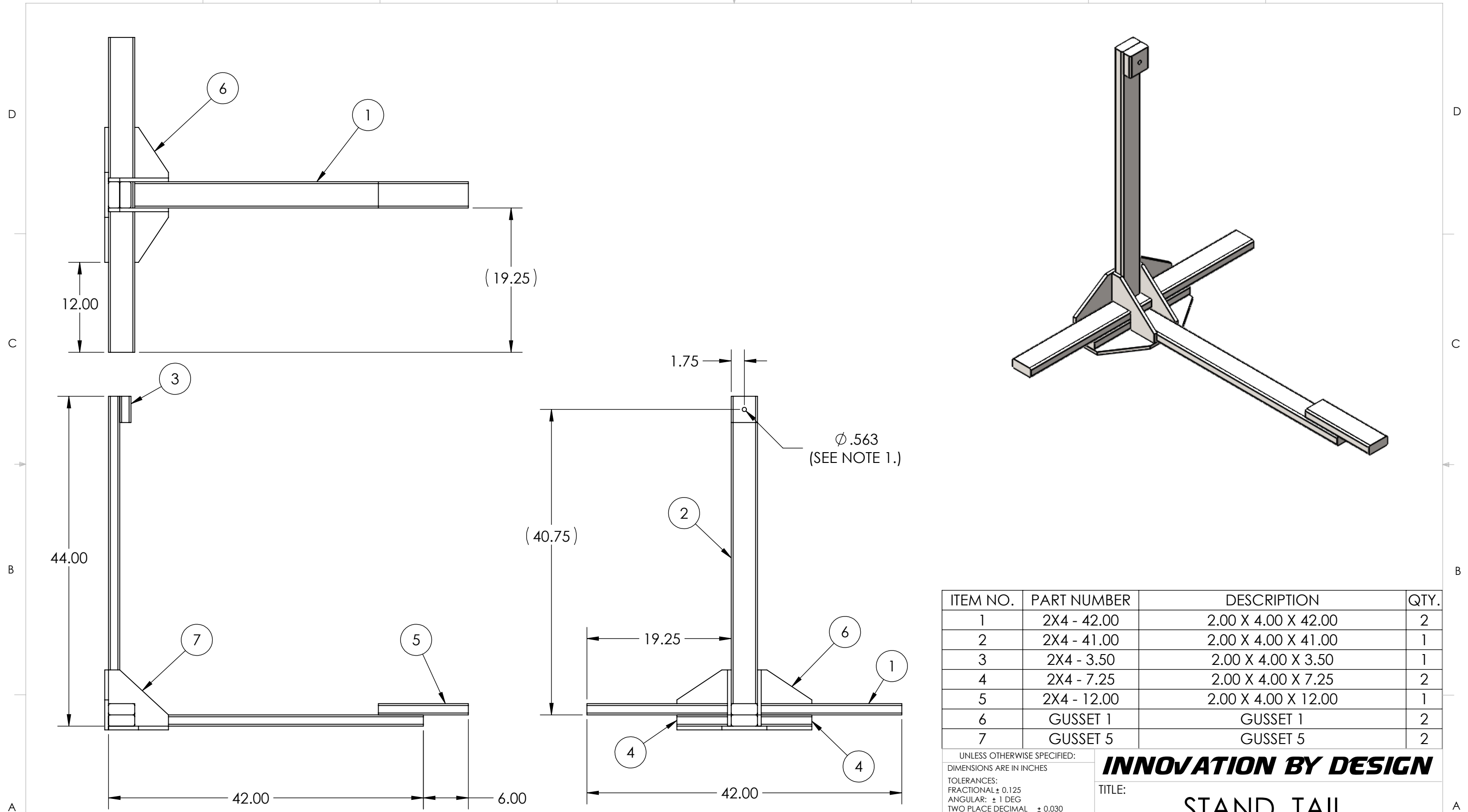
ITEM NO.	PART NUMBER	DESCRIPTION	QTY.
1	FS-104A	STAND, FIREWALL	1
2	WASHER .50 IN	WASHER, 1/2"	4
3	BOLT .50 X 4.00	BOLT, 1/2-13 X 4.00"	1
4	NUT .50-13	NYLOCK NUT, 1/2-13	1
5	CASTER 2 IN	2" CASTER WHEEL ASSEMBLY	3
6	2X4 - 36.50	2.00 X 4.00 X 36.50	1
7	TUBE, .50X1.25	TUBE, .50 X .25 X 1.25	2
8	BOLT .25 X 4.50	BOLT, 1/4-20 X 4.50	2
9	NUT .25-20	NUT, 1/4-20	2
10	PIN .25 X 3.00	PIN, 1/4" X 3.00"	1

UNLESS OTHERWISE SPECIFIED:  
 DIMENSIONS ARE IN INCHES  
 TOLERANCES:  
 FRACTIONAL ± 0.125  
 ANGULAR: ± 1 DEG  
 TWO PLACE DECIMAL ± 0.030  
 THREE PLACE DECIMAL ± 0.010  
 DO NOT SCALE DRAWING

**INNOVATION BY DESIGN**  
 TITLE:  
**ASSY, FIREWALL STAND**

	NAME	DATE
DRAWN	SDS	11/13/08
CHECKED		
ENG APPR.		
MFG APPR.		

SIZE	DWG. NO.	REV
<b>B</b>	<b>FS-102A</b>	<b>A</b>
SCALE: 1:12	WEIGHT:	SHEET 1 OF 1



NOTES:  
 1. TRANSFER DRILL  $\varnothing$ .563 HOLE THROUGH 2.00 X 4.00 X 3.50 BLOCK AFTER ASSEMBLY.

**PROPRIETARY AND CONFIDENTIAL**  
 THE INFORMATION CONTAINED IN THIS DRAWING IS THE SOLE PROPERTY OF INNOVATION BY DESIGN AND/OR ITS DESIGNATED CLIENTS. ANY REPRODUCTION IN PART OR AS A WHOLE WITHOUT THE WRITTEN PERMISSION IS PROHIBITED.

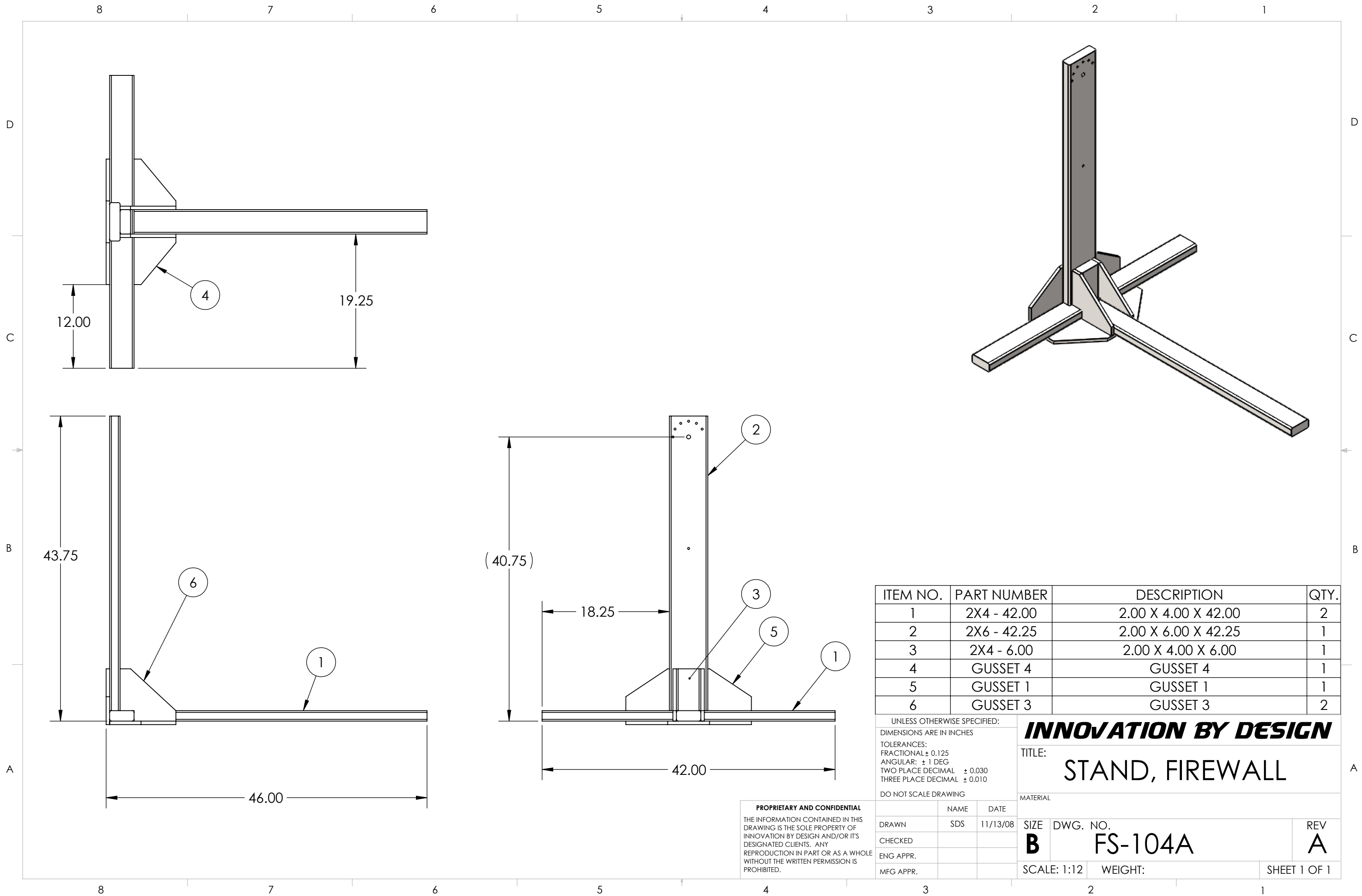
ITEM NO.	PART NUMBER	DESCRIPTION	QTY.
1	2X4 - 42.00	2.00 X 4.00 X 42.00	2
2	2X4 - 41.00	2.00 X 4.00 X 41.00	1
3	2X4 - 3.50	2.00 X 4.00 X 3.50	1
4	2X4 - 7.25	2.00 X 4.00 X 7.25	2
5	2X4 - 12.00	2.00 X 4.00 X 12.00	1
6	GUSSET 1	GUSSET 1	2
7	GUSSET 5	GUSSET 5	2

UNLESS OTHERWISE SPECIFIED:  
 DIMENSIONS ARE IN INCHES  
 TOLERANCES:  
 FRACTIONAL  $\pm$  0.125  
 ANGULAR:  $\pm$  1 DEG  
 TWO PLACE DECIMAL  $\pm$  0.030  
 THREE PLACE DECIMAL  $\pm$  0.010  
 DO NOT SCALE DRAWING

**INNOVATION BY DESIGN**  
 TITLE: **STAND, TAIL**

	NAME	DATE
DRAWN	SDS	11/13/08
CHECKED		
ENG APPR.		
MFG APPR.		

SIZE	DWG. NO.	REV
<b>B</b>	<b>FS-103A</b>	<b>A</b>
SCALE: 1:12	WEIGHT:	SHEET 1 OF 1



12.00  
19.25  
4

43.75  
46.00  
6  
1

(40.75)  
18.25  
42.00  
2  
3  
5  
1

ITEM NO.	PART NUMBER	DESCRIPTION	QTY.
1	2X4 - 42.00	2.00 X 4.00 X 42.00	2
2	2X6 - 42.25	2.00 X 6.00 X 42.25	1
3	2X4 - 6.00	2.00 X 4.00 X 6.00	1
4	GUSSET 4	GUSSET 4	1
5	GUSSET 1	GUSSET 1	1
6	GUSSET 3	GUSSET 3	2

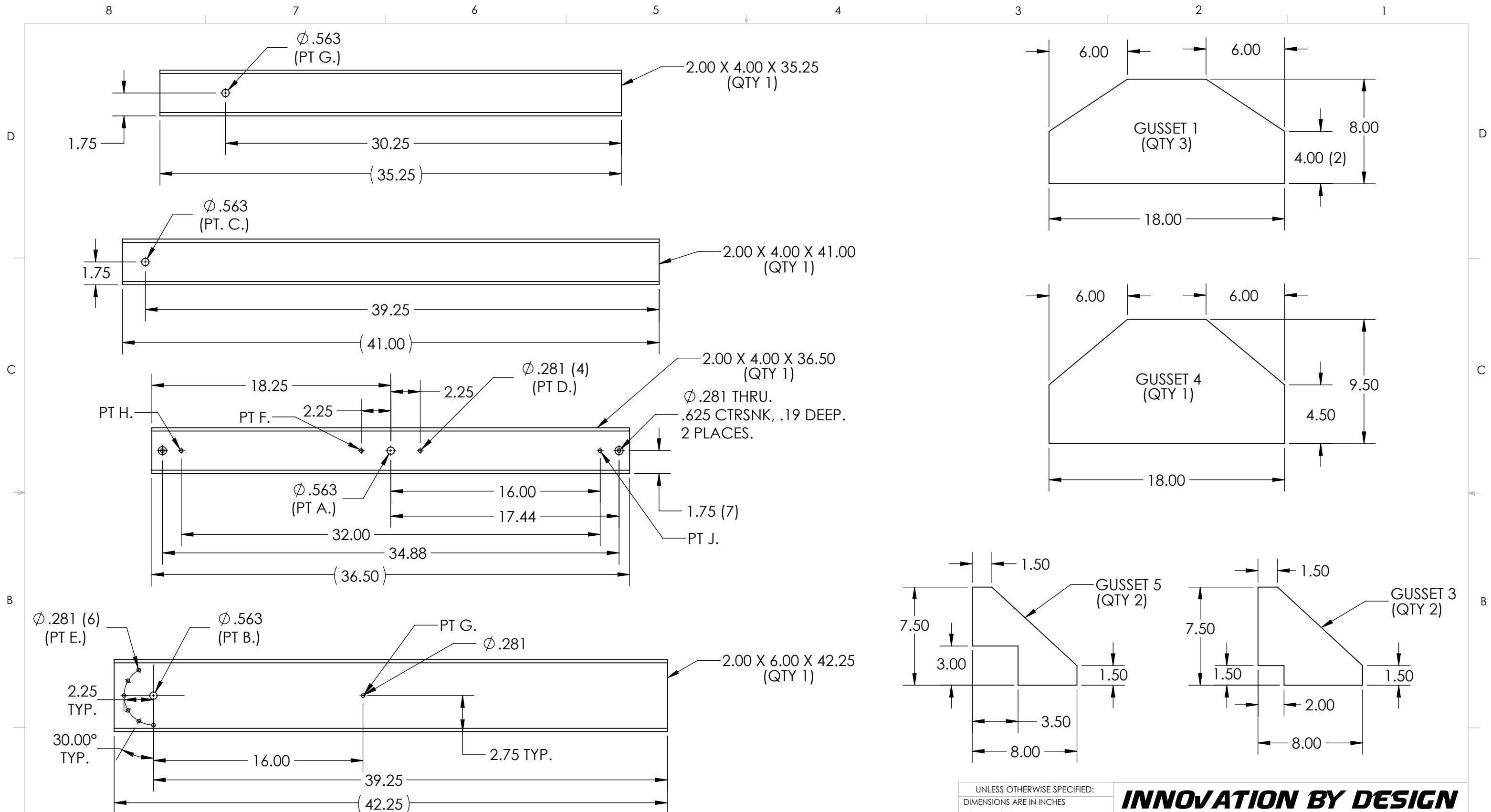
UNLESS OTHERWISE SPECIFIED:  
DIMENSIONS ARE IN INCHES  
TOLERANCES:  
FRACTIONAL ± 0.125  
ANGULAR: ± 1 DEG  
TWO PLACE DECIMAL ± 0.030  
THREE PLACE DECIMAL ± 0.010  
DO NOT SCALE DRAWING

**INNOVATION BY DESIGN**  
TITLE:  
**STAND, FIREWALL**

**PROPRIETARY AND CONFIDENTIAL**  
THE INFORMATION CONTAINED IN THIS DRAWING IS THE SOLE PROPERTY OF INNOVATION BY DESIGN AND/OR ITS DESIGNATED CLIENTS. ANY REPRODUCTION IN PART OR AS A WHOLE WITHOUT THE WRITTEN PERMISSION IS PROHIBITED.

	NAME	DATE
DRAWN	SDS	11/13/08
CHECKED		
ENG APPR.		
MFG APPR.		

SIZE	DWG. NO.	REV
<b>B</b>	<b>FS-104A</b>	<b>A</b>
SCALE: 1:12	WEIGHT:	SHEET 1 OF 1



NOTES:

- MARK ALL HOLE LOCATIONS AND DRILL AS FOLLOWS:
  - DRILL  $\phi .563$ " HOLES AT POINT A. B. C. & G.
  - DRILL  $\phi .281$ " HOLES AT POINT D. AND G.
  - AFTER STANDS ARE ASSEMBLED, TRANSFER DRILL THROUGH HOLE AT POINT D. TO DEVELOP THE HOLE PATTERN AT POINT E.
  - TRANSFER DRILL THROUGH ONE OF THE POINT E. HOLES TO DEVELOP THE HOLE AT POINT F.
  - TRANSFER DRILL THROUGH POINT G. HOLE TO DEVELOP HOLES AT POINT H. AND J.

**PROPRIETARY AND CONFIDENTIAL**  
 THE INFORMATION CONTAINED IN THIS DRAWING IS THE SOLE PROPERTY OF INNOVATION BY DESIGN AND/OR ITS DESIGNATED CLIENTS. ANY REPRODUCTION IN PART OR AS A WHOLE WITHOUT THE WRITTEN PERMISSION IS PROHIBITED.

UNLESS OTHERWISE SPECIFIED:  
 DIMENSIONS ARE IN INCHES  
 TOLERANCES:  
 FRACTIONAL  $\pm 0.125$   
 ANGULAR:  $\pm 1$  DEG  
 TWO PLACE DECIMAL  $\pm 0.030$   
 THREE PLACE DECIMAL  $\pm 0.010$   
 DO NOT SCALE DRAWING

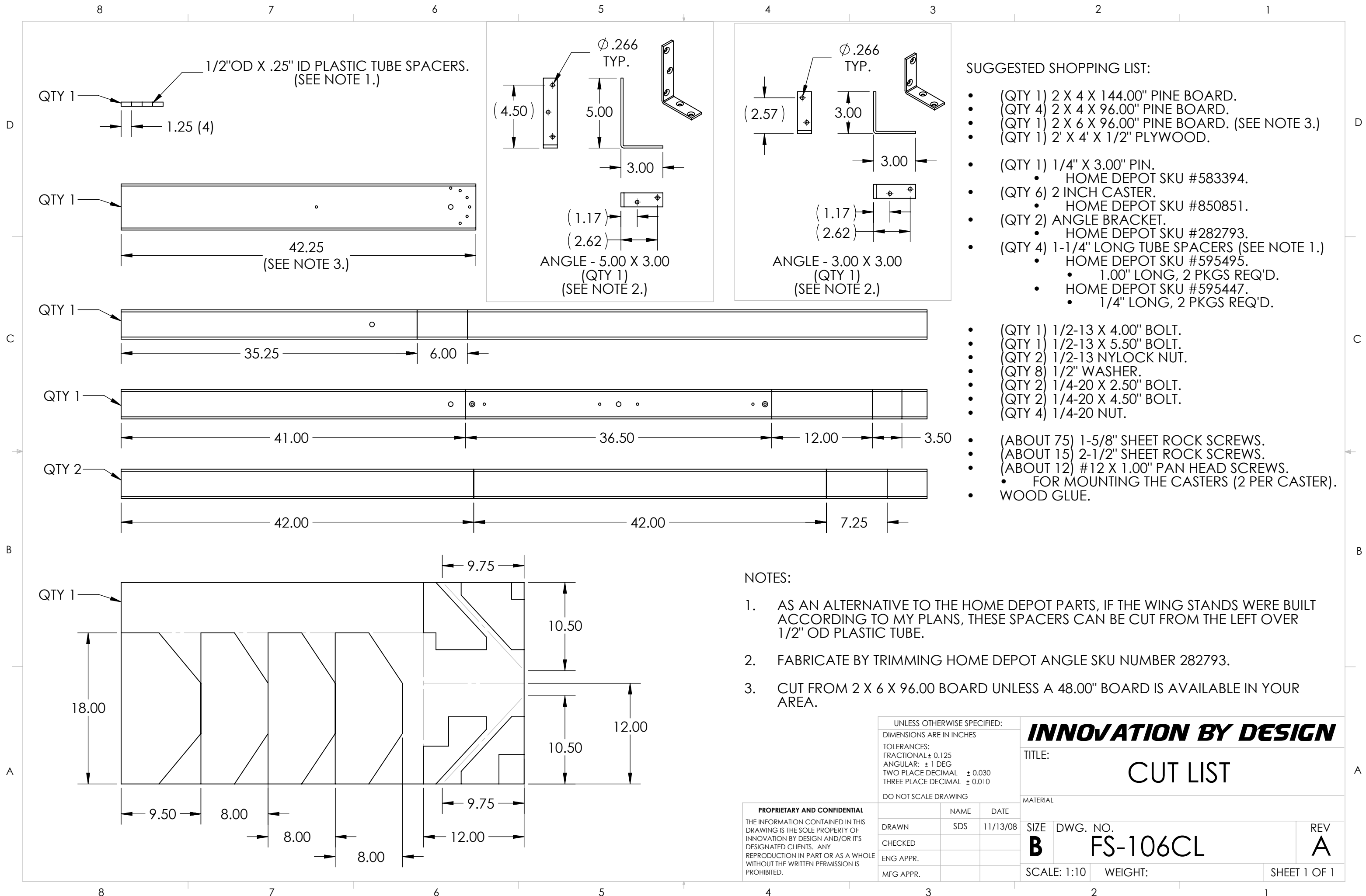
	NAME	DATE
DRAWN	SDS	11/13/08
CHECKED		
ENG APPR.		
MFG APPR.		

**INNOVATION BY DESIGN**

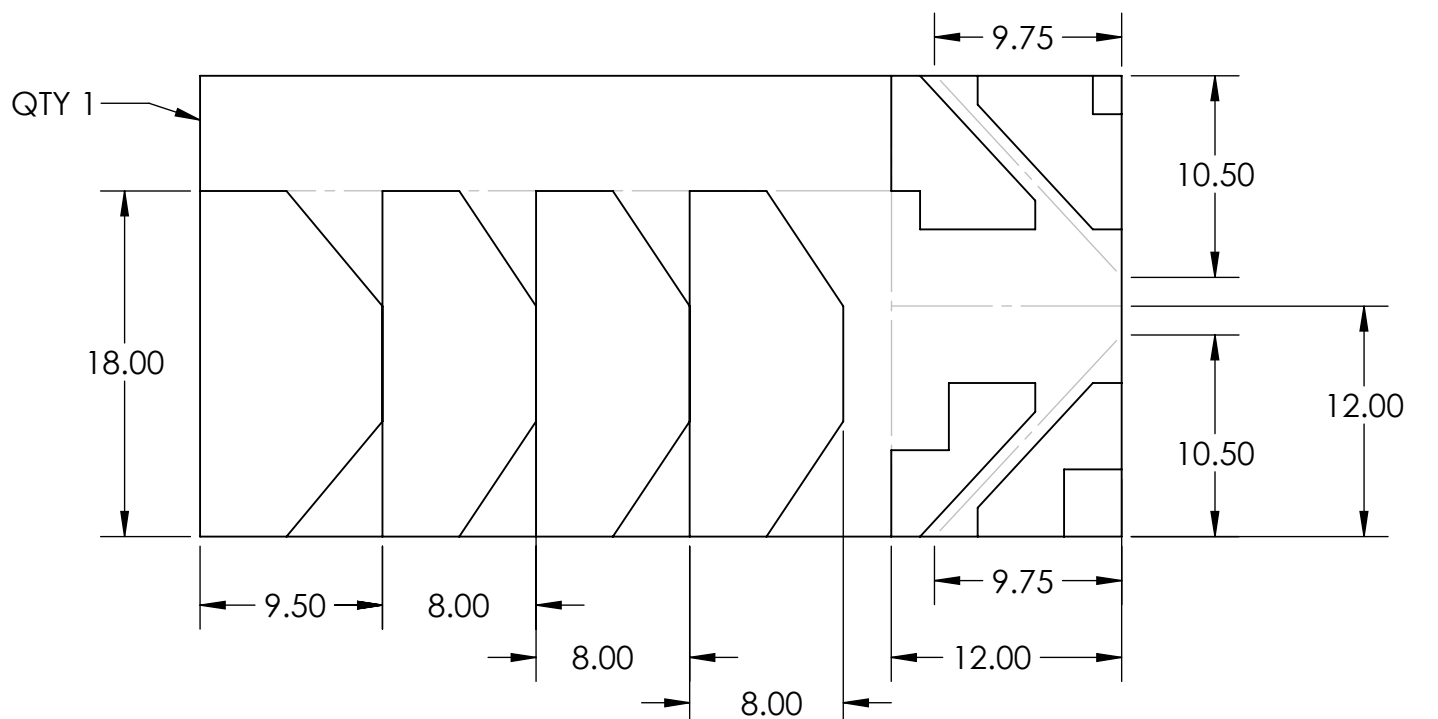
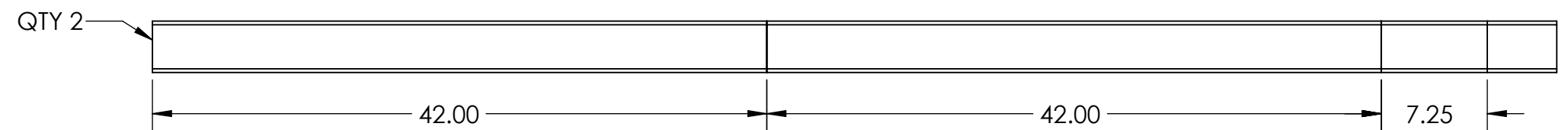
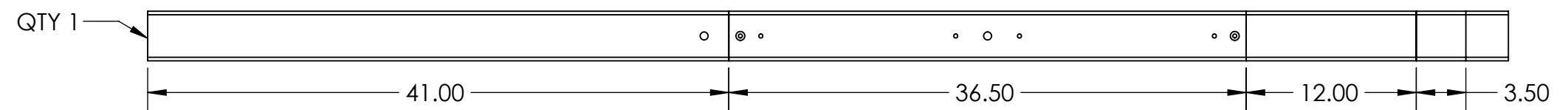
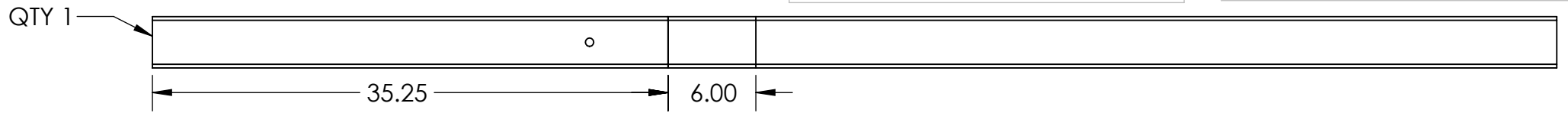
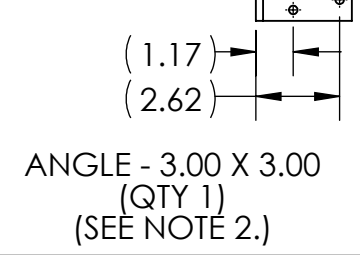
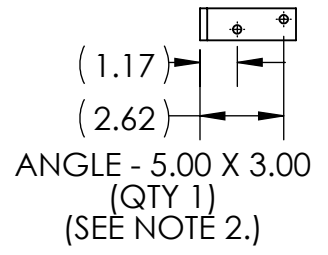
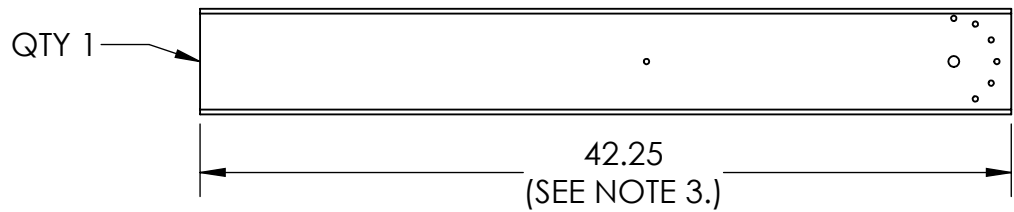
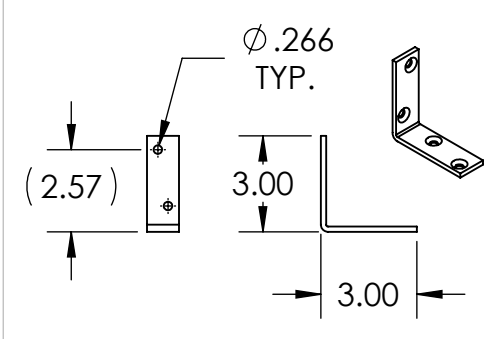
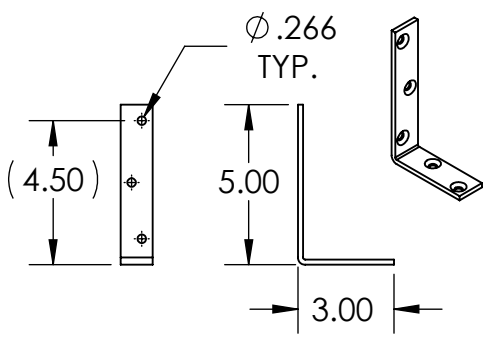
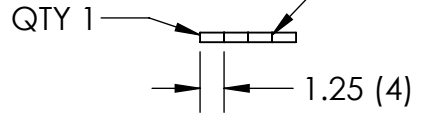
TITLE: **DIMENSION LIST**

MATERIAL:

SIZE <b>B</b>	DWG. NO. <b>FS-105DL</b>	REV <b>A</b>
SCALE: 1:7	WEIGHT:	SHEET 1 OF 1



1/2"OD X .25" ID PLASTIC TUBE SPACERS.  
(SEE NOTE 1.)



- SUGGESTED SHOPPING LIST:
- (QTY 1) 2 X 4 X 144.00" PINE BOARD.
  - (QTY 4) 2 X 4 X 96.00" PINE BOARD.
  - (QTY 1) 2 X 6 X 96.00" PINE BOARD. (SEE NOTE 3.)
  - (QTY 1) 2' X 4' X 1/2" PLYWOOD.
  - (QTY 1) 1/4" X 3.00" PIN.
    - HOME DEPOT SKU #583394.
  - (QTY 6) 2 INCH CASTER.
    - HOME DEPOT SKU #850851.
  - (QTY 2) ANGLE BRACKET.
    - HOME DEPOT SKU #282793.
  - (QTY 4) 1-1/4" LONG TUBE SPACERS (SEE NOTE 1.)
    - HOME DEPOT SKU #595495.
    - 1.00" LONG, 2 PKGS REQ'D.
    - HOME DEPOT SKU #595447.
    - 1/4" LONG, 2 PKGS REQ'D.
  - (QTY 1) 1/2-13 X 4.00" BOLT.
  - (QTY 1) 1/2-13 X 5.50" BOLT.
  - (QTY 2) 1/2-13 NYLOCK NUT.
  - (QTY 8) 1/2" WASHER.
  - (QTY 2) 1/4-20 X 2.50" BOLT.
  - (QTY 2) 1/4-20 X 4.50" BOLT.
  - (QTY 4) 1/4-20 NUT.
  - (ABOUT 75) 1-5/8" SHEET ROCK SCREWS.
  - (ABOUT 15) 2-1/2" SHEET ROCK SCREWS.
  - (ABOUT 12) #12 X 1.00" PAN HEAD SCREWS.
    - FOR MOUNTING THE CASTERS (2 PER CASTER).
  - WOOD GLUE.

- NOTES:
- AS AN ALTERNATIVE TO THE HOME DEPOT PARTS, IF THE WING STANDS WERE BUILT ACCORDING TO MY PLANS, THESE SPACERS CAN BE CUT FROM THE LEFT OVER 1/2" OD PLASTIC TUBE.
  - FABRICATE BY TRIMMING HOME DEPOT ANGLE SKU NUMBER 282793.
  - CUT FROM 2 X 6 X 96.00 BOARD UNLESS A 48.00" BOARD IS AVAILABLE IN YOUR AREA.

UNLESS OTHERWISE SPECIFIED:  
DIMENSIONS ARE IN INCHES  
TOLERANCES:  
FRACTIONAL ± 0.125  
ANGULAR: ± 1 DEG  
TWO PLACE DECIMAL ± 0.030  
THREE PLACE DECIMAL ± 0.010  
DO NOT SCALE DRAWING

**INNOVATION BY DESIGN**

TITLE:  
**CUT LIST**

**PROPRIETARY AND CONFIDENTIAL**  
THE INFORMATION CONTAINED IN THIS DRAWING IS THE SOLE PROPERTY OF INNOVATION BY DESIGN AND/OR ITS DESIGNATED CLIENTS. ANY REPRODUCTION IN PART OR AS A WHOLE WITHOUT THE WRITTEN PERMISSION IS PROHIBITED.

	NAME	DATE
DRAWN	SDS	11/13/08
CHECKED		
ENG APPR.		
MFG APPR.		

MATERIAL		SIZE	DWG. NO.	REV
		<b>B</b>	<b>FS-106CL</b>	<b>A</b>
SCALE: 1:10		WEIGHT:		SHEET 1 OF 1