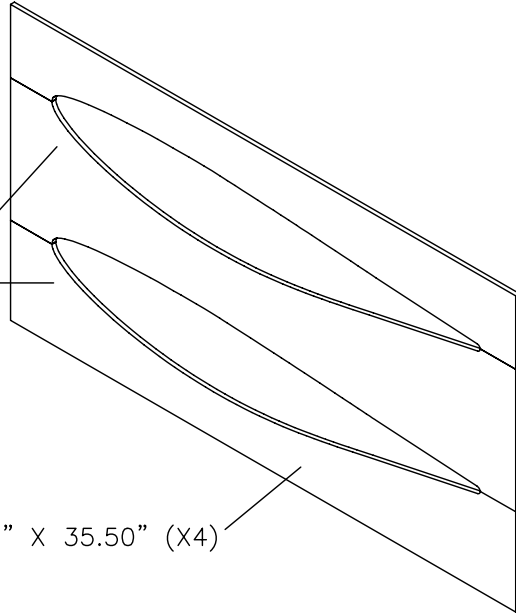


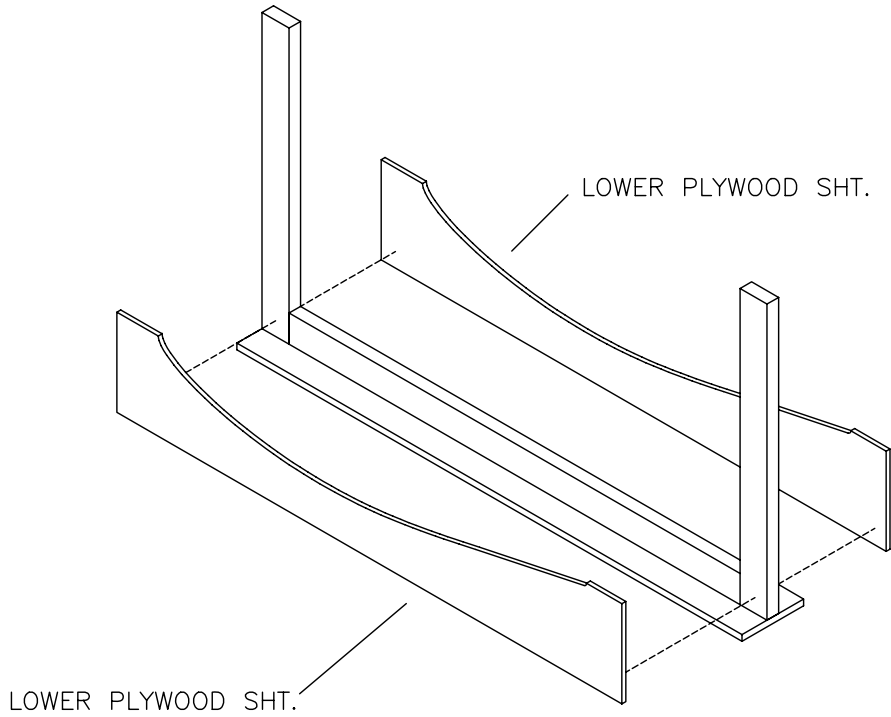
MD5469

RANS S-19
WING TRANSPORT #1

BUILDER TRACES WING PROFILE AND CUTS INTO (3) PIECES AS SHOWN. USE THESE AS TEMPLATES FOR THE REMAINING (3) BLANKS.

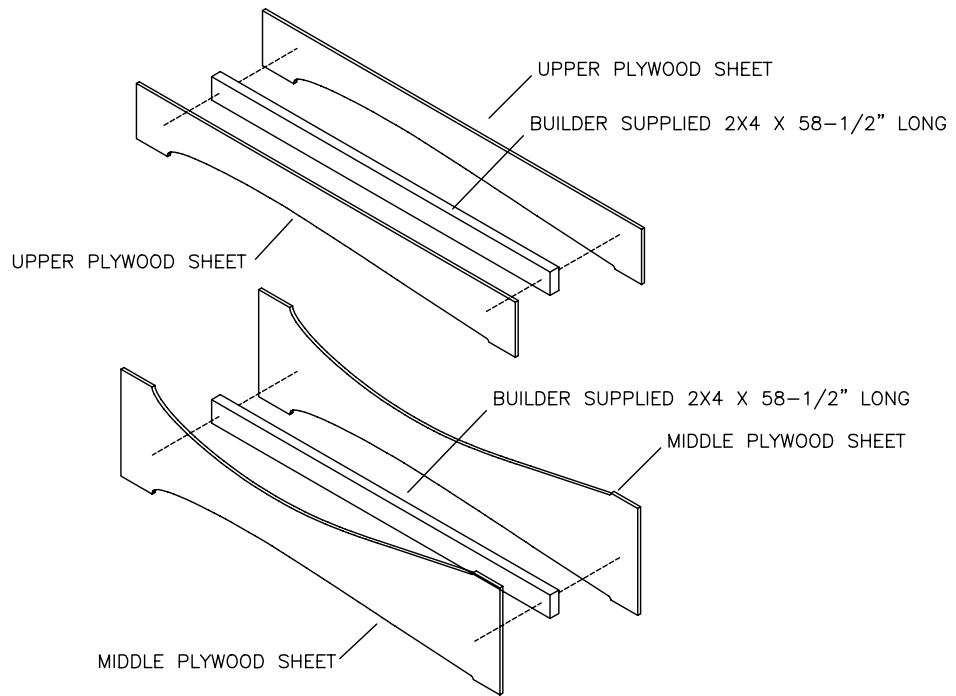


BUILDER SUPPLIED 1/4" PLYWOOD 65.50" X 35.50" (X4)

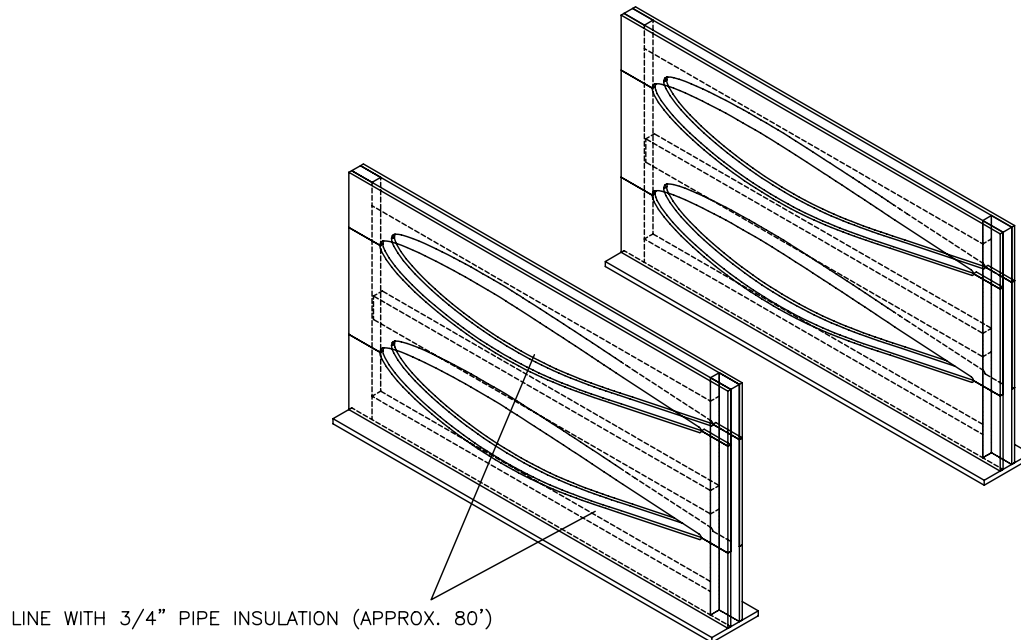


MD5469

RANS S-19 WING TRANSPORT #2



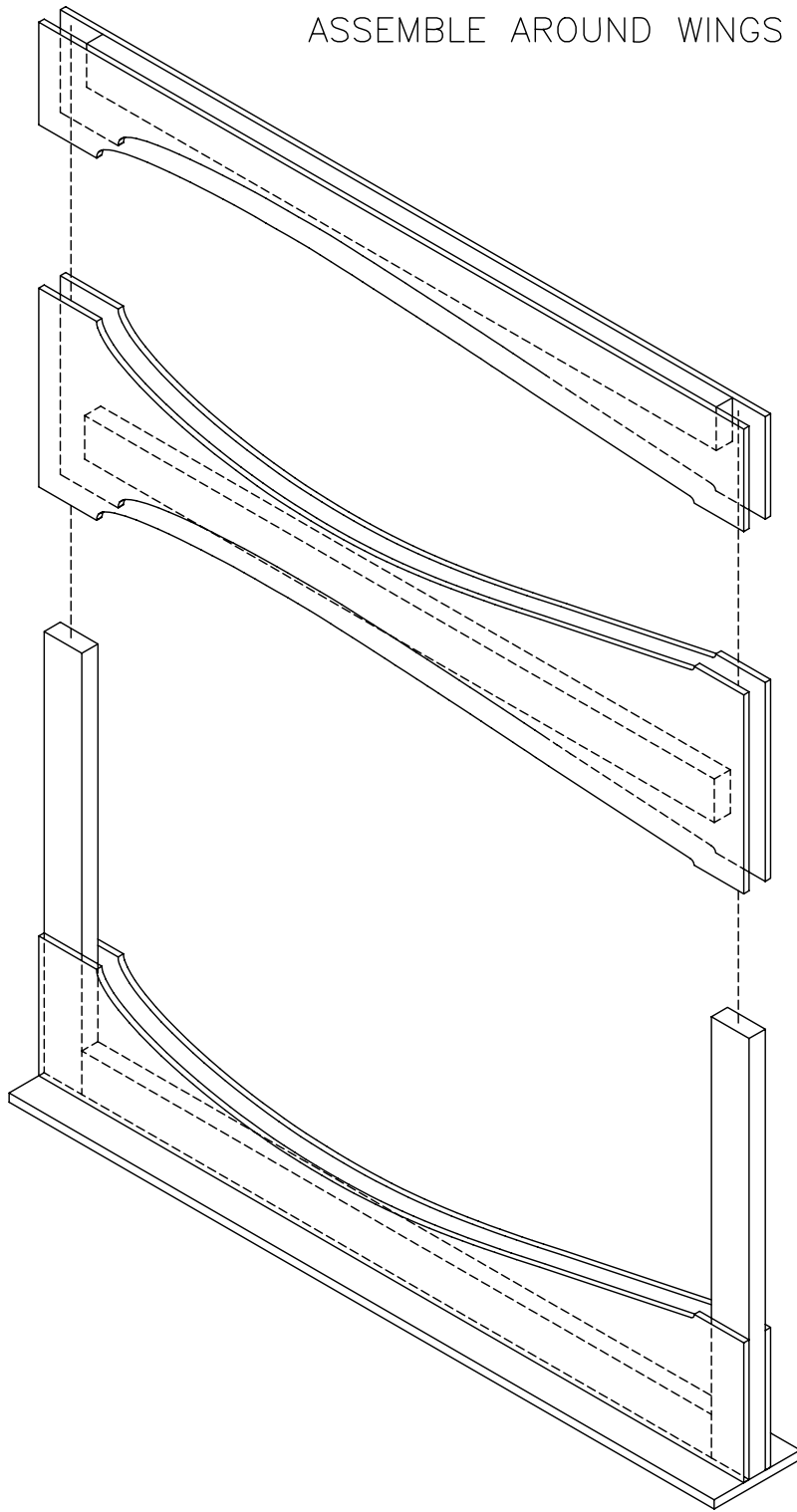
TWO FINISHED WING TRANSPORTS



MD5469

RANS S-19
WING TRANSPORT #3

ASSEMBLE AROUND WINGS AS SHOWN



MD5469

RANS S-19
WING TRANSPORT #4